



## AKII / AKII+ Squib Connectors for Airbag and Safety Applications (2 and 3 way 90°)

TE Connectivity (TE) is one of the world's leading companies in developing, manufacturing and supplying a full range of high quality, technologically advanced squib connectors & cable assemblies. Our products provide the reliability needed for critical safety applications such as airbags.

TE is a global technology company that can support customers in any region of the world and offers:

- Research and development capabilities, prototyping and samples
- TS 16949 and ISO 14001 certified manufacturing facilities
- Fully certified testing/validation laboratory
- High quality level ensured by automated production and EOL processes

### Key Features

- Interface: AKII / AKII+ - ISO 19072
- EMI Suppression: Ferrite
- Locking: CPA

# AKII / AKII+ Squib Connectors

for Airbag and Safety Applications  
2 and 3 way 90°

## AKII 2 way 90° Squib

- 2 way 90° squib
- Wire Cross Section: 0.35 - 0.50 mm<sup>2</sup>
- Supplied as pigtails

### Technical Specifications

#### Product Specification

Neutral 108-15435  
Socket Contact  
for 1 mm Ø Pin 108-94209

#### Application Specification

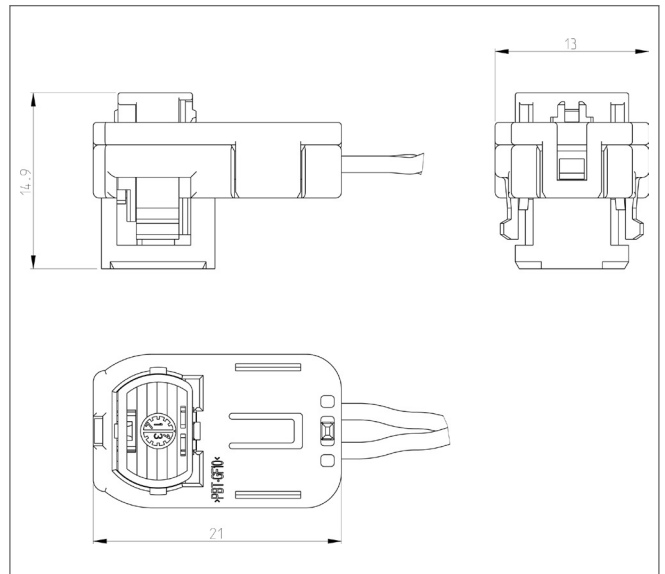
Neutral  
Socket Contact  
for 1 mm Ø Pin 114-18972

### Dimensions

Height 14.9 mm  
Length 21.0 mm  
Width 13.0 mm

### Part Numbers

Specific to coding, length, type of wires  
and OEM. Contact TE Sales for details.



## AKII 3 way 90° Squib

- 3 way 90° squib
- Wire Cross Section: 0.35 - 0.50 mm<sup>2</sup>
- Supplied as pigtails

### Technical Specifications

#### Product Specification

108-15437

#### Application Specification

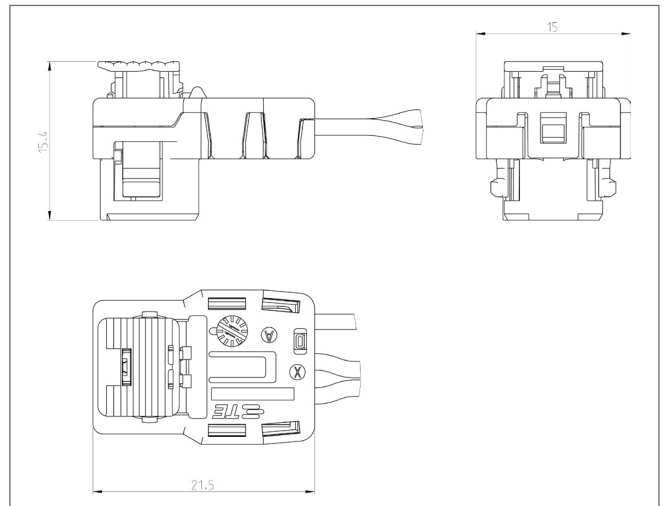
408-15018

### Dimensions

Height 15.4 mm  
Length 21.5 mm  
Width 15.0 mm

### Part Numbers

Specific to coding, length, type of wires  
and OEM. Contact TE Sales for details.



## AKII SCR Retainer, 11 mm Diameter

- Retainer with integrated shorting clip
- Supplied with and without clip
- To be mounted in the 11 mm ignitor
- To be used with 2 way connectors
- Selective gold plated contact points
- Retention improved with lugs
- Mechanical codings available
- Available in different colors

### Technical Specification

#### Product Specification

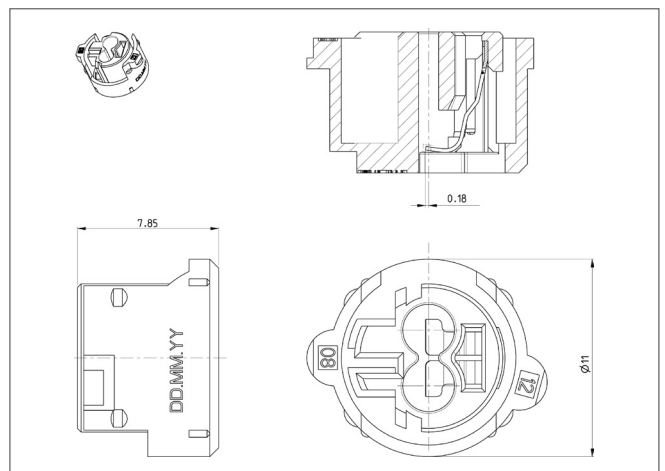
108-3645

### Dimensions

Height 7.9 mm  
Diameter 11.0 mm

### Part Number

1823640



TE Connectivity Germany GmbH  
Ampèrestrasse 12-14  
64625 Bensheim | Germany

© 2018 TE Connectivity | All rights reserved.  
TE, TE Connectivity, and TE connectivity (logo) are trademarks.

[www.te.com](http://www.te.com)  
[www.te.com/automotive](http://www.te.com/automotive)

For further information please go to:  
[www.TE.com/support-center](http://www.TE.com/support-center)