



TE ANTENNAS FOR WI-FI 6E

Offer extensive contiguous clean spectrum covering triple bands (2.4 GHz, 5 GHz, 6 GHz) to optimize WLAN (Wireless Local Area Networks) communication

Features

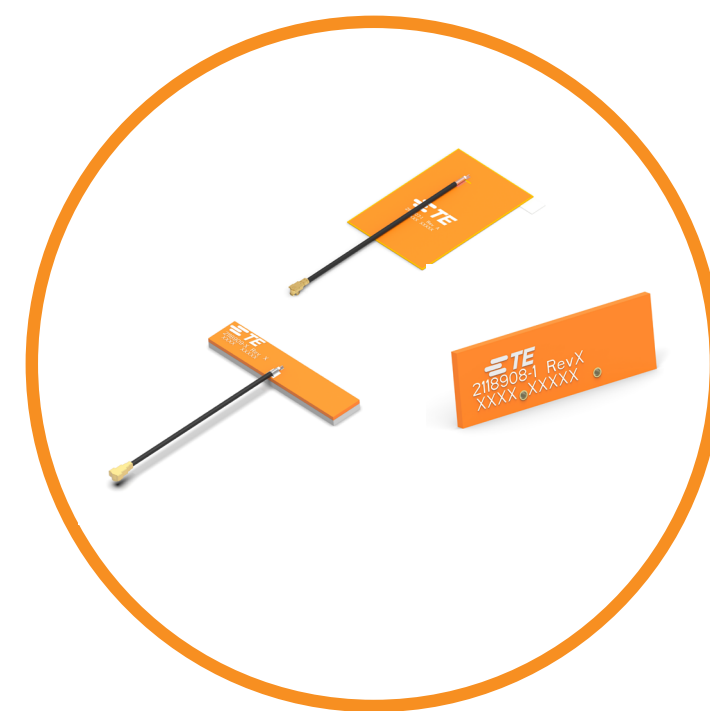
- Add 1200 MHz of frequency bandwidth, accommodating 14 additional 80 MHz channels or 7 additional 160 MHz channels
- State of the art bandwidth and robust RF performance
- Multiple wireless standards integration
- On-board and cabled versions available in PCB and FPC materials
- Customizable in cable length and connector types
- Customizable MIMO (Multi-input Multi-output) arrays

Markets & Applications

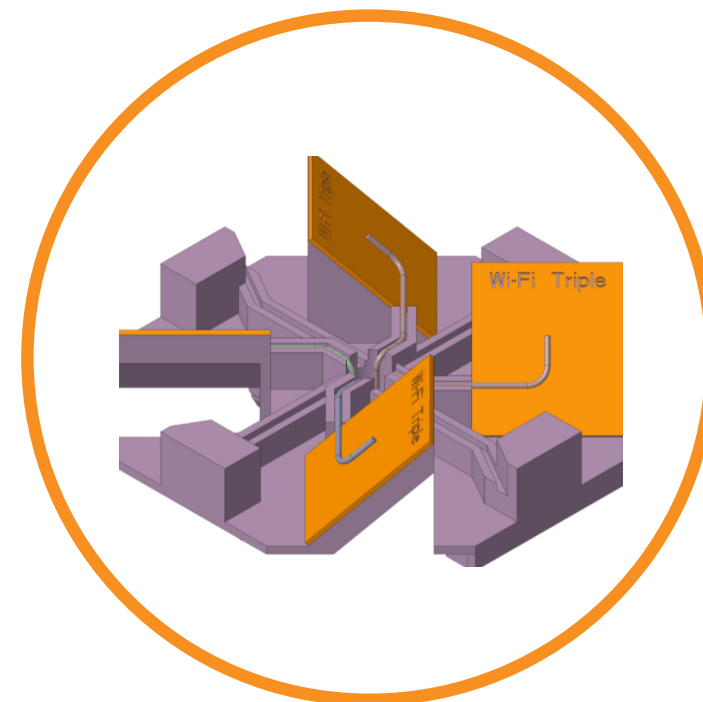
- Access Points/Gateways/Routers
- Building Safety & Security
- Smart Cities & Homes
- Smart Medical & Health devices
- Connect to IoT
- Wi-Fi hotspots anywhere

Benefits

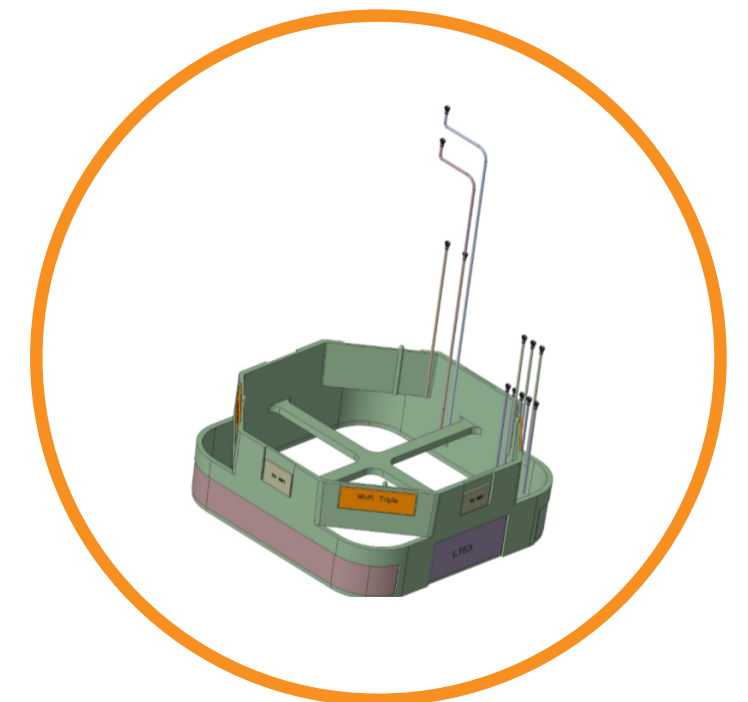
- Greater network flexibility with reduced congestion
- Faster and more reliable speed experience with reduced latency
- Offer system design flexibility
- Quick time-to-market with TE RF Integration competence



Antennas for Wi-Fi 6E



4X4 MIMO (Wi-Fi)



4X4 MIMO (Wi-Fi with cellular)



[Click](#) or scan the QR code to learn more